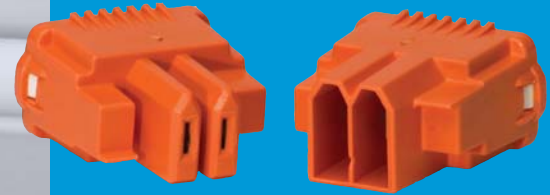


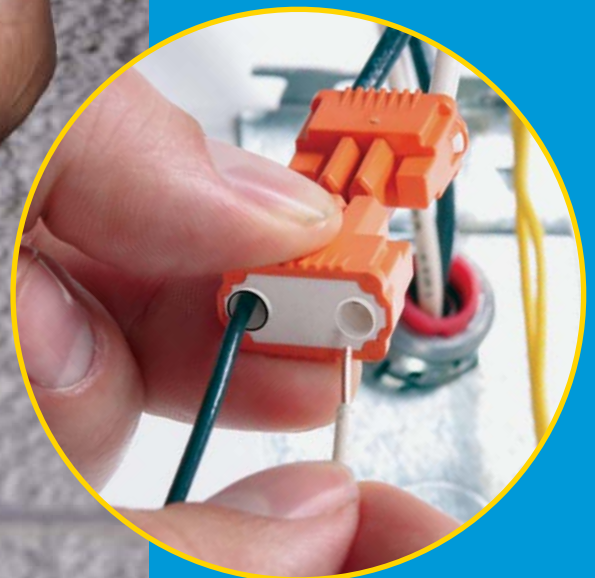


PowerPlug™ Luminaire Disconnect



powerplug™

- *The first push-in disconnect to meet the new NEC and CEC code changes for non-residential fluorescent luminaires*
- *Perfect for OEM or retrofit lighting applications*
- *Meets UL and CSA finger-probe safety requirements*
- *Allows safe disconnect of hot and neutral ballast wiring*



Push-in technology results in quicker connections, saves time and increases productivity.



PowerPlug™ Luminaire Disconnect



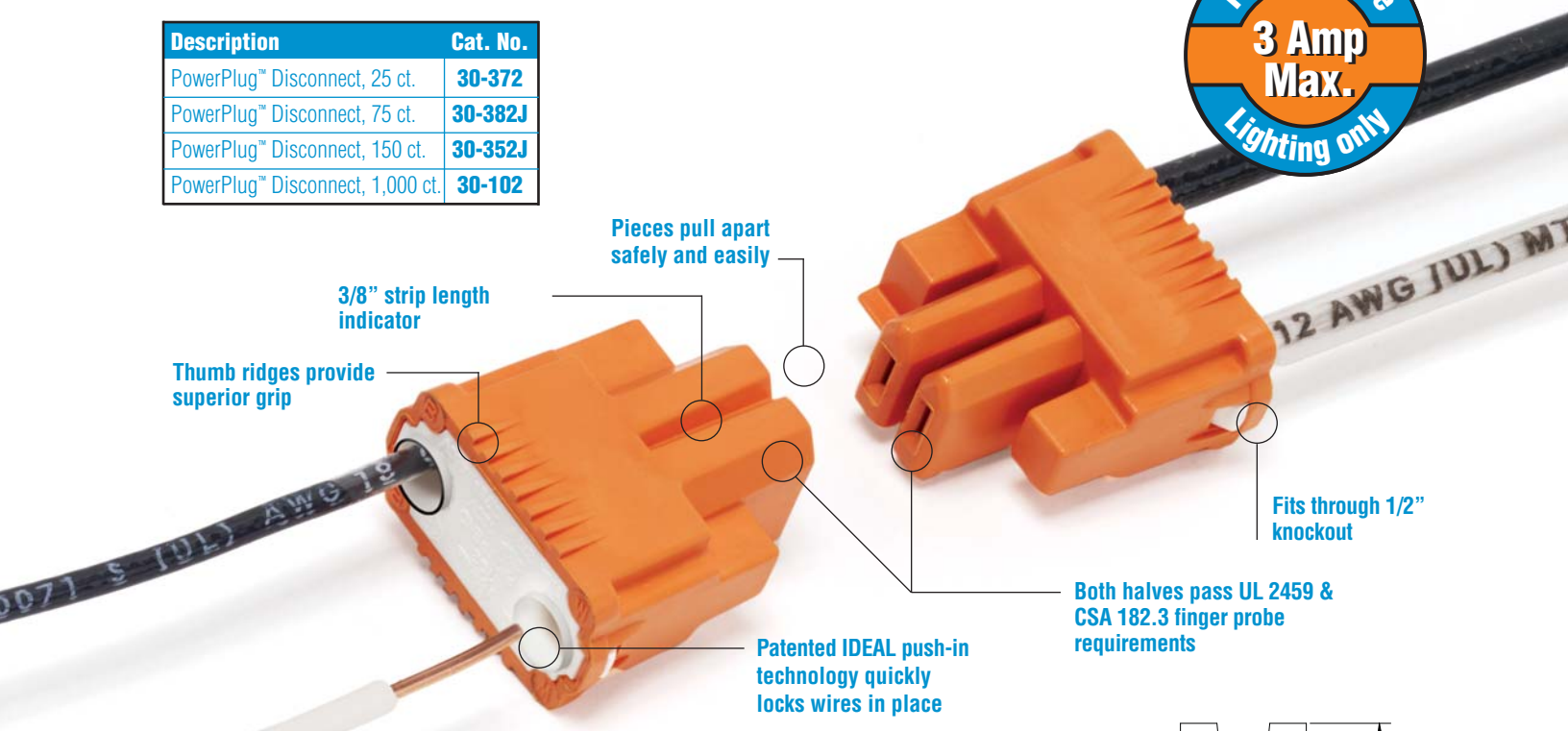
The IDEAL PowerPlug™ Luminaire Disconnect is the first push-in disconnect that fully meets the new National Electrical Code 410.130(G) and the new Canadian Electrical Code 30-308(4) for non-residential fluorescent luminaires.



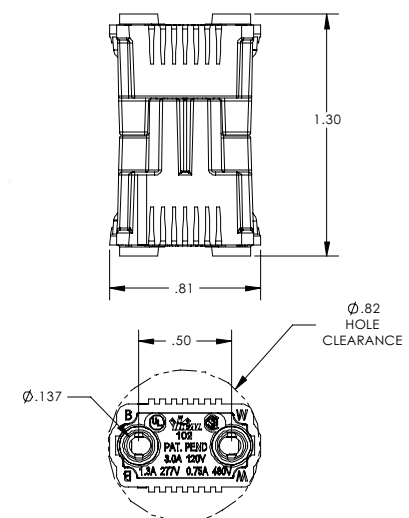
PowerPlug™ helps reduce electrical shock hazard during ballast replacement by safely disconnecting hot and neutral ballast wiring. Both halves of PowerPlug™ meet UL 2459 and CSA 182.3 finger-probe safety requirements.

The advanced push-in technology of PowerPlug™ is compatible with solid or stranded wire. Unlike existing pin & socket disconnects or pre-leaded disconnects, it does not require the use of specialized tools or additional wire connectors. The PowerPlug™ Luminaire Disconnect provides fast, efficient ballast connections resulting in reduced installation times and improved labor savings.

Description	Cat. No.
PowerPlug™ Disconnect, 25 ct.	30-372
PowerPlug™ Disconnect, 75 ct.	30-382J
PowerPlug™ Disconnect, 150 ct.	30-352J
PowerPlug™ Disconnect, 1,000 ct.	30-102



Materials		Wire Range	
Housings:	Nylon	Solid	12 AWG – 18 AWG
Contacts:	Copper Alloy	Stranded	12 AWG – 14 AWG (19 strand or less)
Ratings		Stranded	12 AWG (19 strand or less)
Temperature:	105°C (221°F)	(Tin-Bonded)	14 AWG (19 strand or less)
Flammability:	UL 94V-0		16 AWG (26 strand or less)
Current Interruption:	10 Cycles		18 AWG (16 strand or less)
Max. Current Rating		Agency Approvals	
120V	3 Amps	UL 2459	CSA 182.3
277V	1.3 Amps	RoHS Compliant	
347V	1 Amps	Physical	
480V	0.75 Amps	Strip Length:	3/8" ± 1/16"
600V	0.60 Amps	Number of Circuits:	2 (3 circuit coming soon)
<i>Patents Pending</i>		Color:	Orange and White
		Mating/Unmating Force:	3-8 Pounds



Listed
Luminaire Disconnect
3HME

P-2733
©2006 IDEAL INDUSTRIES, INC.

IDEAL INDUSTRIES, INC.

Becker Place, Sycamore, IL 60178, USA / 815-895-5181 • 800-435-0705 in USA

International offices:

Australia • Brazil • Canada • China • Germany • Mexico • UK

For complete sales office contact information, visit us at:

www.idealindustries.com

Rev. 10/07
Printed in U.S.A.